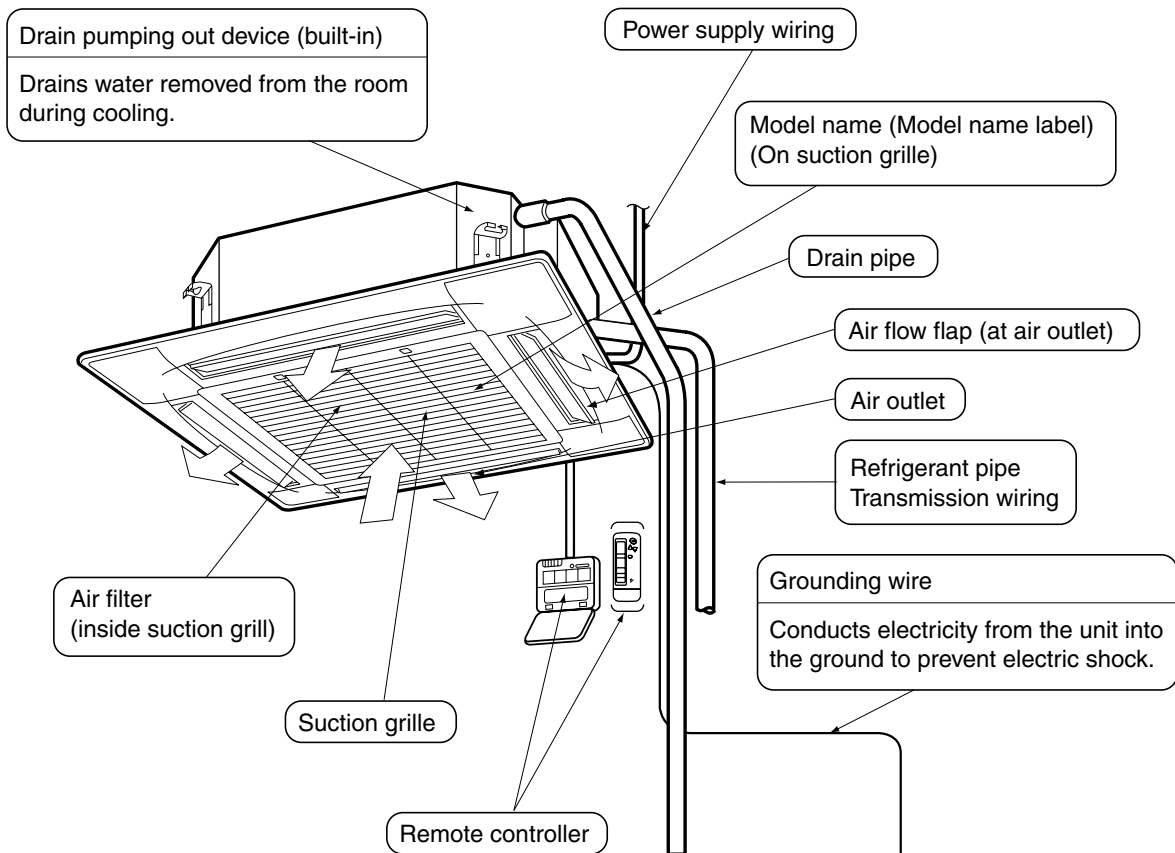


VRV SYSTEM**Air Conditioners****According to GB4706. 32-96****符号 GB4706. 32-96****MODELS****Ceiling mounted cassette type (Multi flow model)****MODELOS****Tipo cassette instalado en cielo raso (Modelo multi flujo)****型號****天花板卡式嵌入型（多氣流）****型号****天花板卡式嵌入型（多气流）**

FXF25LVE	FXF63LVE	FXF25LVEC (KFR-28T)	FXF63LVEC (KFR-71T)
FXF32LVE	FXF80LVE	FXF32LVEC (KFR-36T)	FXF80LVEC (KFR-90T)
FXF40LVE	FXF100LVE	FXF40LVEC (KFR-45T)	FXF100LVEC (KFR-112T)
FXF50LVE	FXF125LVE	FXF50LVEC (KFR-56T)	FXF125LVEC (KFR-140T)
FXFQ25MVE	FXFQ63MVE		
FXFQ32MVE	FXFQ80MVE		
FXFQ40MVE	FXFQ100MVE		
FXFQ50MVE	FXFQ125MVE		



Thank you for purchasing this Daikin air conditioner. Carefully read this operation manual before using the air conditioner. It will tell you how to use the unit properly and help you if any trouble occurs. This manual explains about the indoor unit only. Use it along with the operation manual for the outdoor unit. After reading the manual, file it away for future reference.


MAINTENANCE (FOR SERVICE PERSONNEL)

ONLY A QUALIFIED SERVICE PERSON IS ALLOWED TO PERFORM MAINTENANCE

IMPORTANT!

- **BEFORE OBTAINING ACCESS TO TERMINAL DEVICES, ALL POWER SUPPLY CIRCUITS MUST BE INTERRUPTED**
- To clean the air conditioner, be sure to stop operation, and turn the power switch off. Otherwise, an electric shock and injury may result.
- Do not wash the air conditioner with water. Doing so may result in an electric shock and fire.
- Be careful with a scaffold or staging
Caution must be exercised because of work at a high place.

HOW TO CLEAN THE AIR FILTER

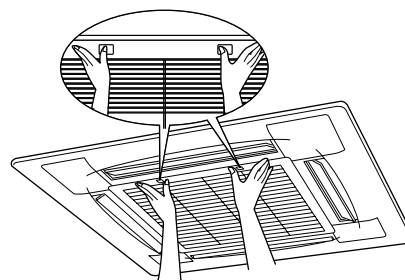
Clean the air filter when the display shows “” (TIME TO CLEAN AIR FILTER).

It will display that it will operate for a set amount of time. Increase the frequency of cleaning if the unit is installed in a room where the air is extremely contaminated.

If the dirt becomes impossible to clean, change the air filter. (Air filter for exchange is optional)

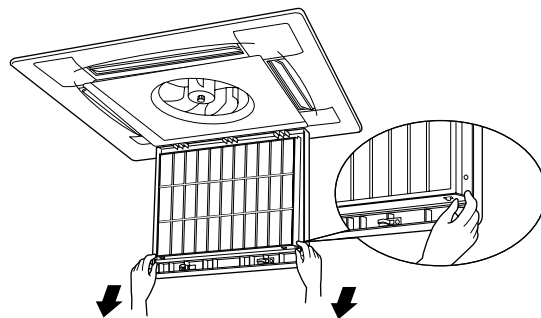
1. Open the suction grille.

Pull it downward slowly while pressing the buttons provided on two spots.
(Do the same procedure for closing.)



2. Remove the air filters

Pull the hook of the air filter out diagonally downward, and remove the filter.



3. Clean the air filter.

Use vacuum cleaner **A**) or wash the air filter with water **B**).

A) Using a vacuum cleaner



B) Washing with water

When the air filter is very dirty, use soft brush and neutral detergent



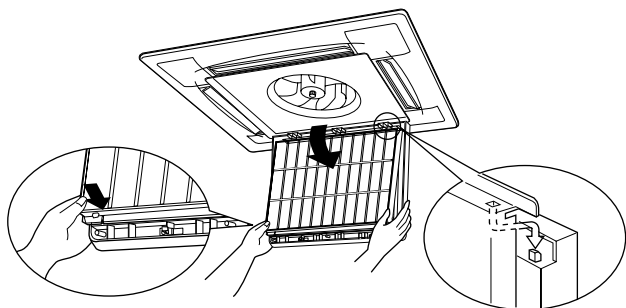
Remove water and dry in the shade.

NOTES

- Do not wash the air conditioner with hot water of more than 50°C, as doing so may result in discoloration and/or deformation.
- Do not expose it to fire, as doing so may result in burning.

4. Fix the air filter

- (1) Hook the air filter to a protrusion on the suction grille.
- (2) Push the lower part of the air filter onto the protrusion at the lower part of the suction grille, and fix the air filter there.



5. Shut the suction grille.

Refer to item No. 1.

6. After turning on the power, press FILTER SIGN RESET button.

The "TIME TO CLEAN AIR FILTER" display vanishes.

HOW TO CLEAN AIR OUTLET AND OUTSIDE PANELS

- Clean with soft cloth
- When it is difficult to remove stains, use water or neutral detergent.
- When the flap is extremely contaminated, remove it as below and clean or exchange it. (Flap for exchange is optional)

NOTES

- Do not use gasoline, benzene, thinner, polishing powder, liquid insecticide. It may cause discoloring or warping.
- Do not let the indoor unit get wet. It may cause an electric shock or a fire.
- Do not scrub firmly when washing the blade with water. The surface sealing may peel off.
- Do not use water or air of 50°C or higher for cleaning air filters and outside panels.

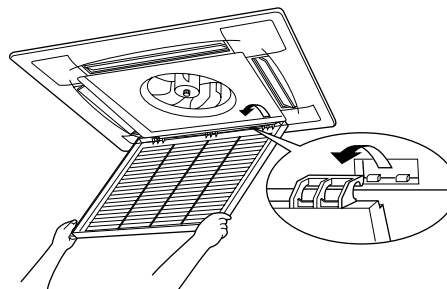
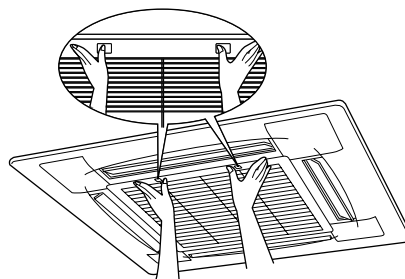
HOW TO CLEAN THE SUCTION GRILLE

1. Open the suction grille.

Push it downward slowly while pressing the buttons provided on two spots. (Follow the same procedure for closing.)

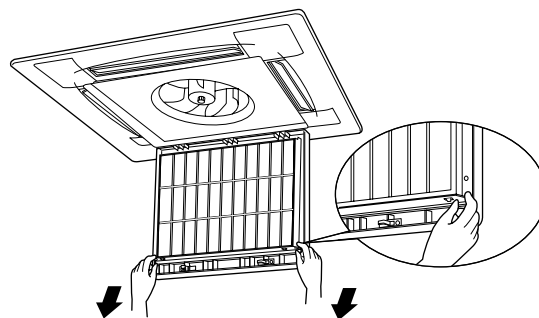
2. Detach the suction grille.

Open the suction grille 45 degrees and lift it upward.



3. Detach the air filter.

Refer to "HOW TO CLEAN THE AIR FILTER".



4. Clean the suction grille.

Wash with a soft bristle brush and neutral detergent or water, and dry thoroughly.

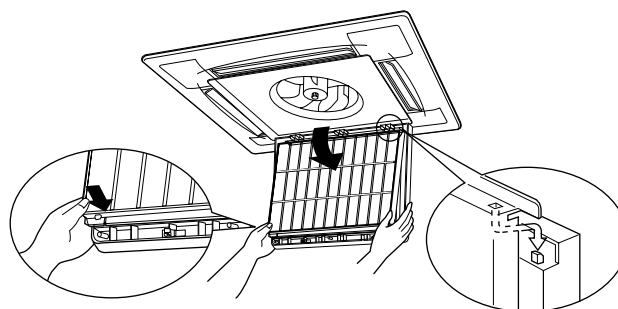
• When very grimy

Directly apply the type of detergent used for cleaning ventilation fans or ovens, wait 10 minutes, and then rinse with water.



5. Reattach the air filter.

Refer to "HOW TO CLEAN THE AIR FILTER"



6. Reattach the suction grille.

Refer to item No. 2.

7. Close the suction grille.

Refer to item No. 1.

DAIKIN INDUSTRIES, LTD.

Head office:

Umeda Center Bldg., 4-12, Nakazaki-Nishi 2 chome,
Kita-ku, Osaka, 530-8323 Japan

Tokyo office:

Shinjuku Sumitomo Bldg., 6-1 Nishi-Shinjuku
2-chome, Shinjuku-ku, Tokyo, 163-0235 Japan

大金工业株式会社

总公司

日本大阪府大阪市北区中崎西二丁目4番12号
梅田中心大厦 邮政编码 530-8323

东京分公司

日本东京都新宿区西新宿2丁目6番1号
新宿住友大厦 邮政编码 163-0235

大金工業株式會社

總公司

日本大阪府大阪市北區中崎西二丁目4番12号
梅田中心大厦 郵政編號 530-8323

東京分公司

日本東京都新宿區西新宿2丁目6番1號
新宿住友大厦 郵政編號 163-0235